



Futureproofing Datacenters with Legrand

By Ashish Vijayan,

Business
Development
Manager,

LEGRAND DATA
CENTER SOLUTIONS,
Gulf Countries



B
U
Z
Z
W
O
R
D

FUTUREPROOFING

WHAT?

WHY?

HOW?

Bicsi[®]
ENDORSED EVENT

FUTUREPROOFING

Datacenter Design Considerations

- Average datacenter life expectancy: 10 - 15 years
- Defined PDU life expectancy: 8-12 years
- Average life expectancy of a server: 3-5 years

WHAT?

TODAY

TOMORROW

THE FUTURE

Bicsi[®]
ENDORSED EVENT

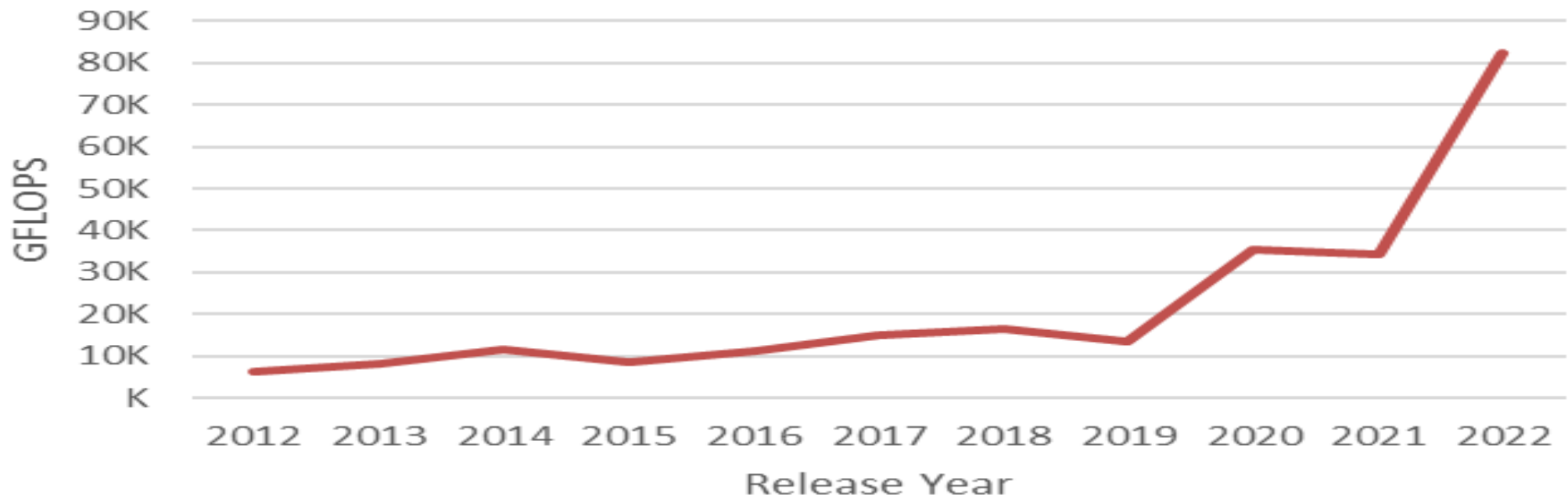
FUTUREPROOFING

WHY?

Active Equipment

CHIPS

Maximum GPU Speed



GFLOPS

FUTUREPROOFING

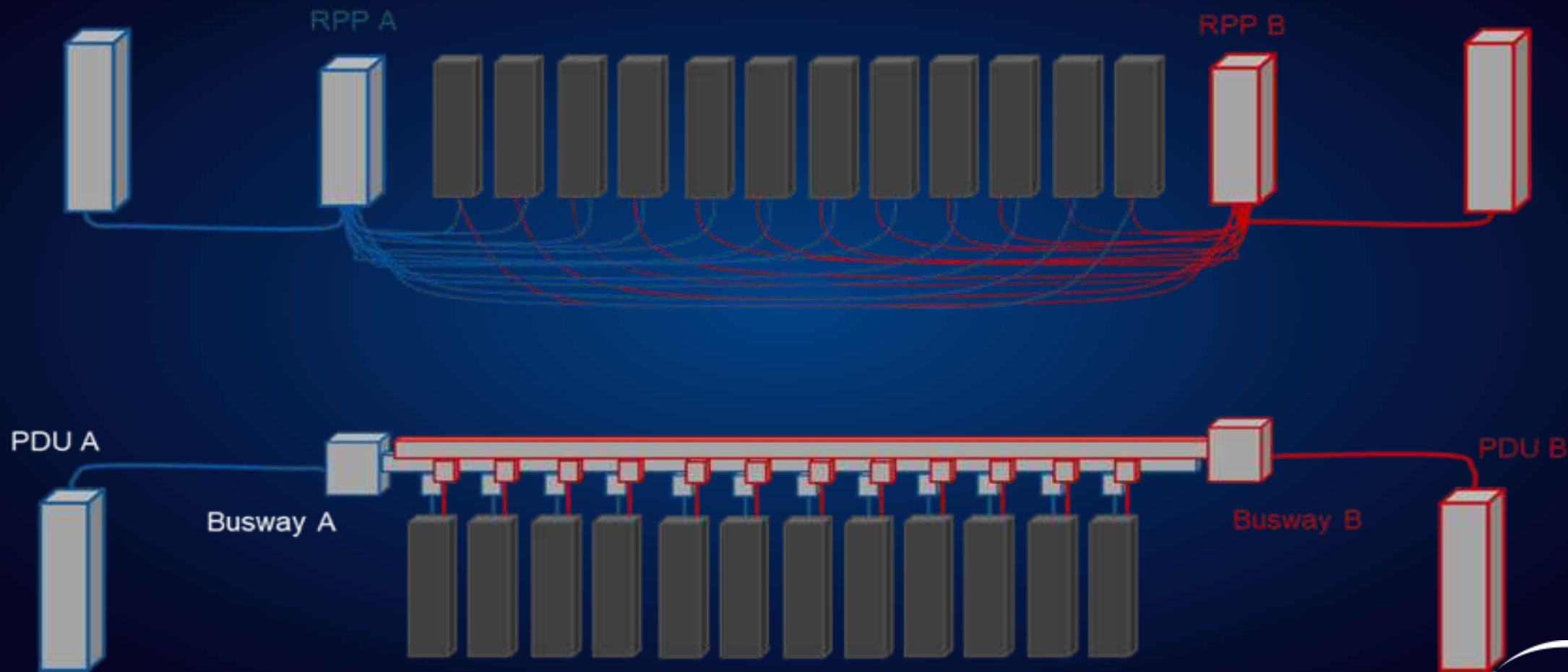
HOW?

- Power
- Equipment Mounting
- Cooling

POWER

Power Distribution

BUSWAY SYSTEM



BUSWAY SYSTEM

IP 54!

Bicsi[®]
ENDORSED EVENT

PDU

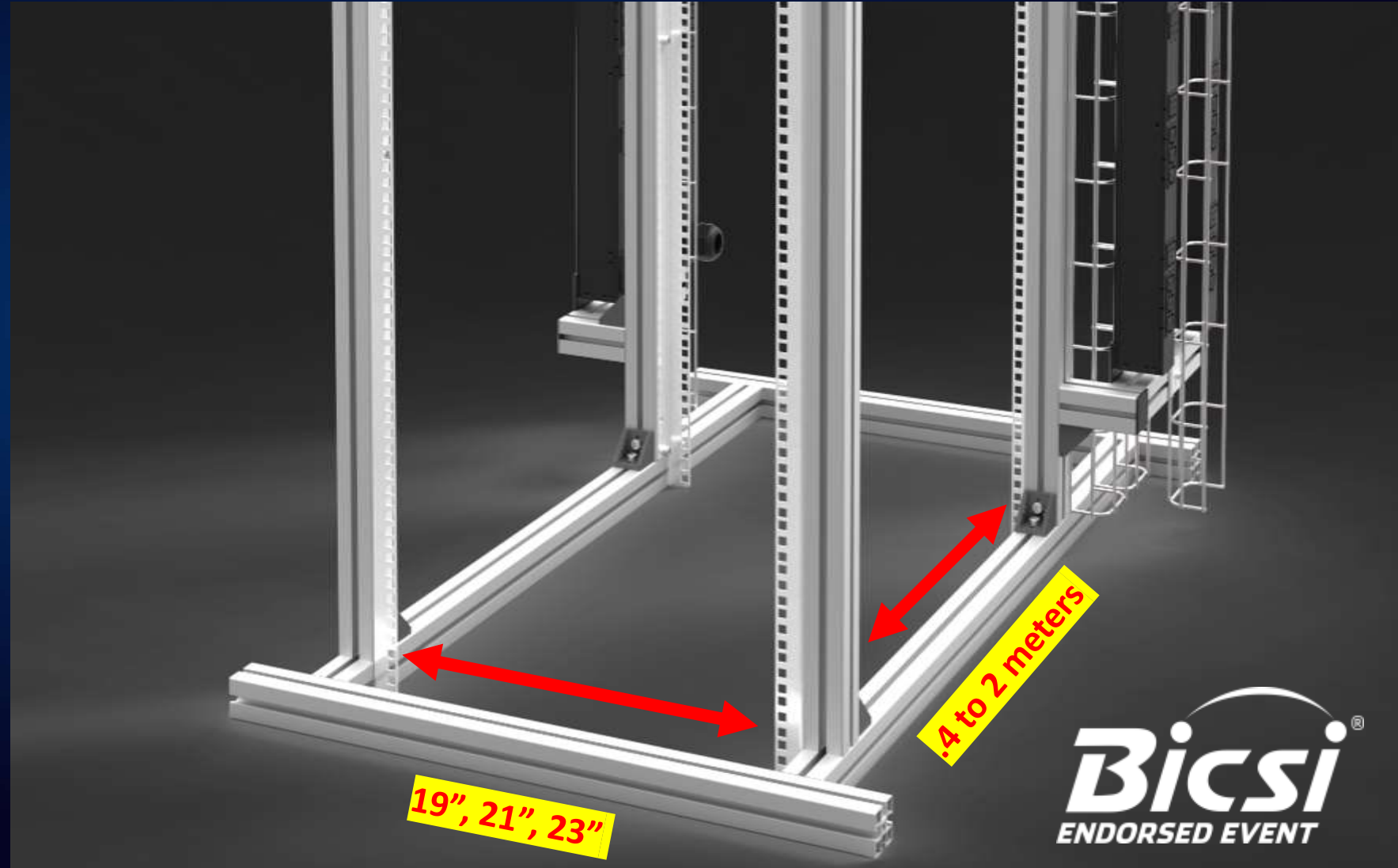


- Hybrid Outlets
- 125 A + 3Ph

EQUIPMENT MOUNTING

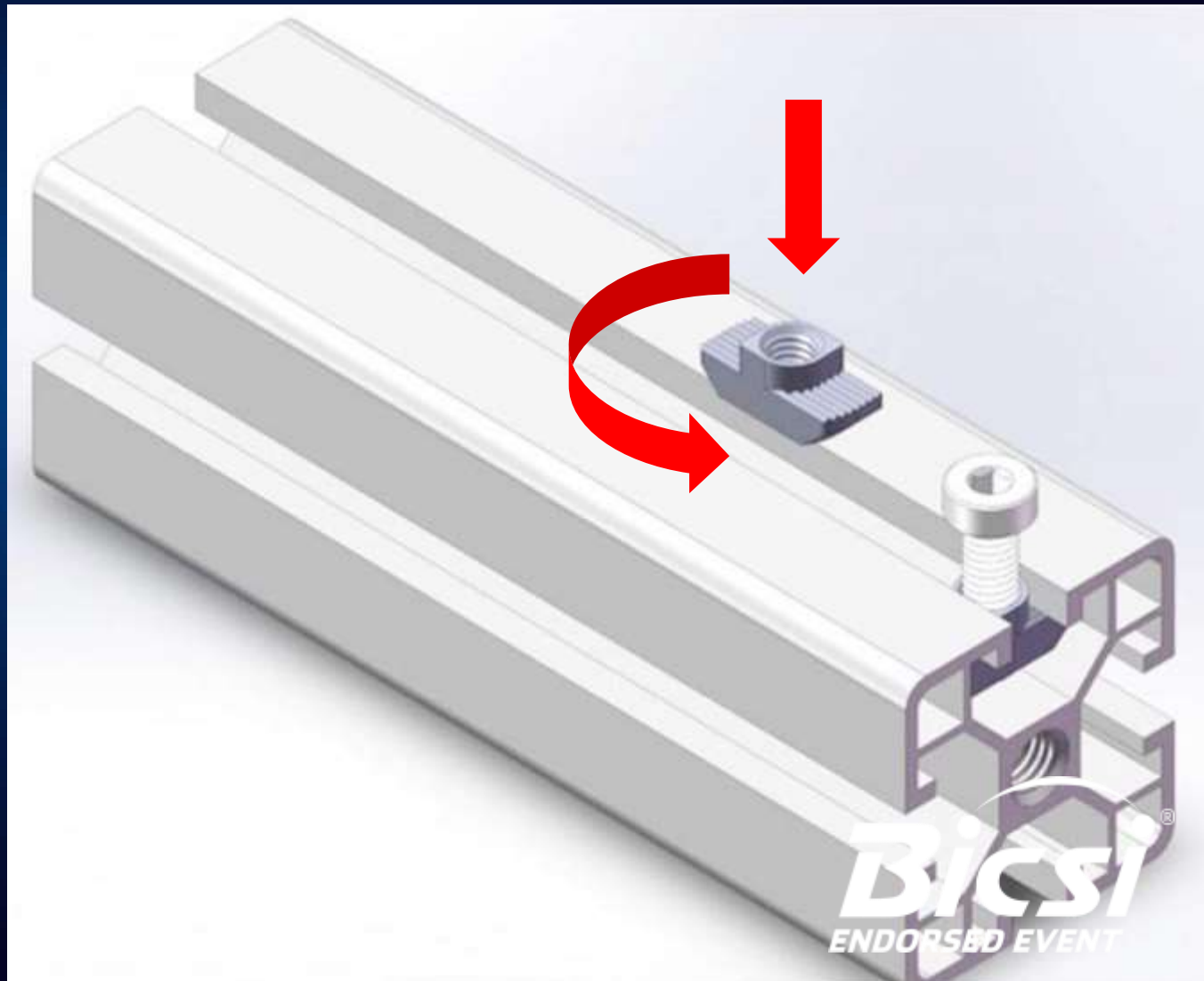
Racks & Cabinets

EQUIPMENT MOUNTING

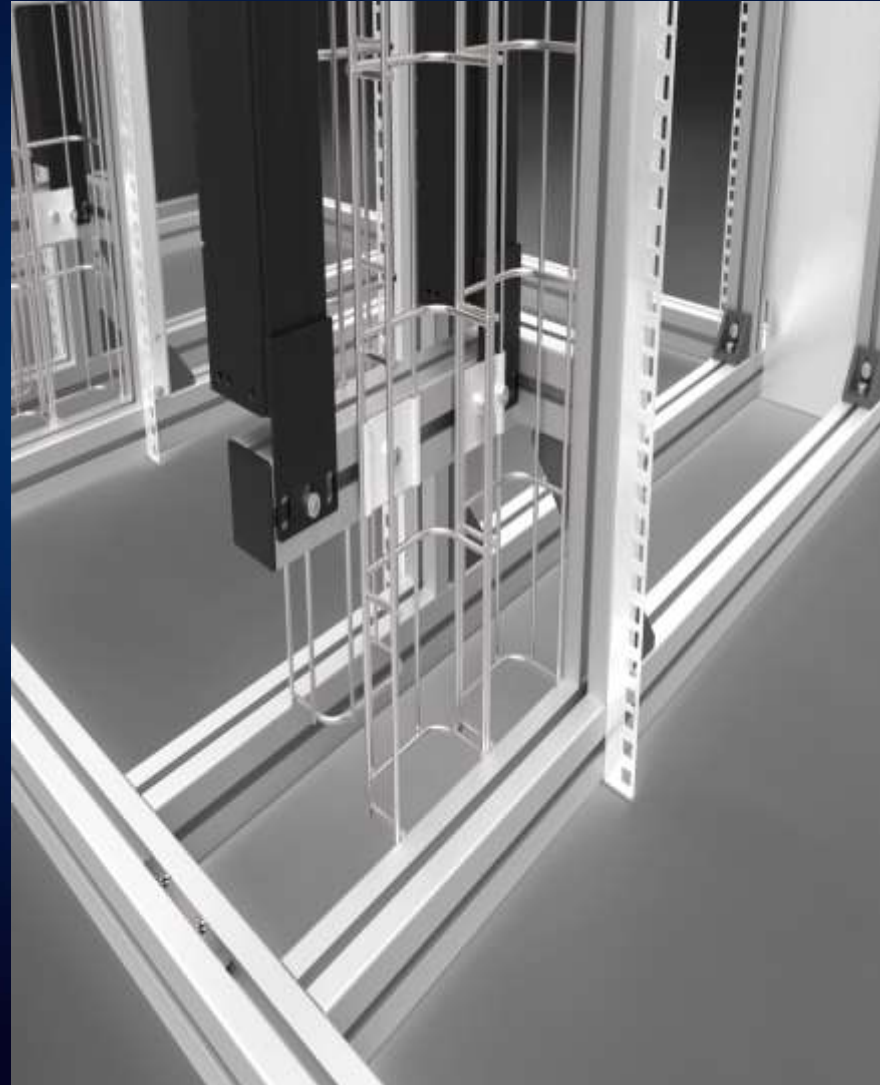
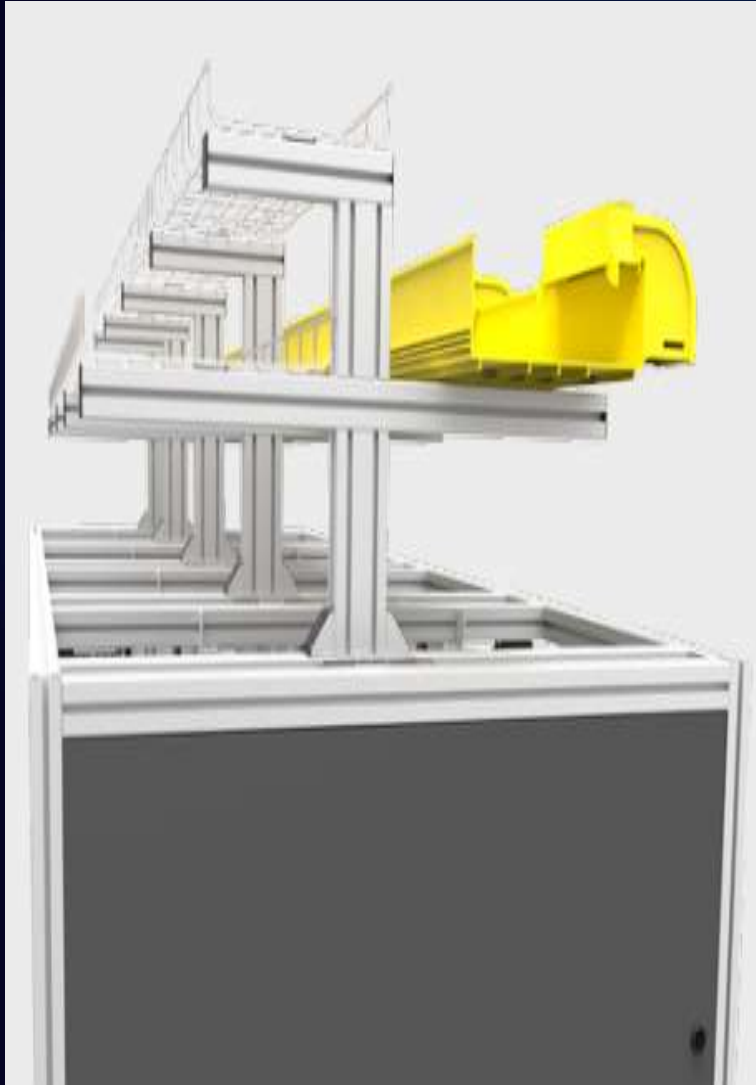


Bicsi[®]
ENDORSED EVENT

EQUIPMENT MOUNTING



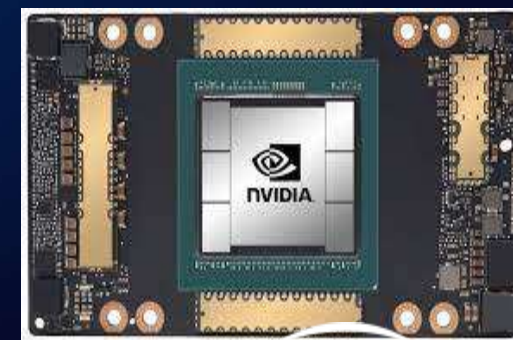
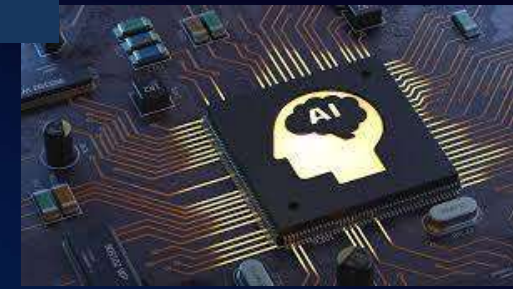
EQUIPMENT MOUNTING



EQUIPMENT MOUNTING

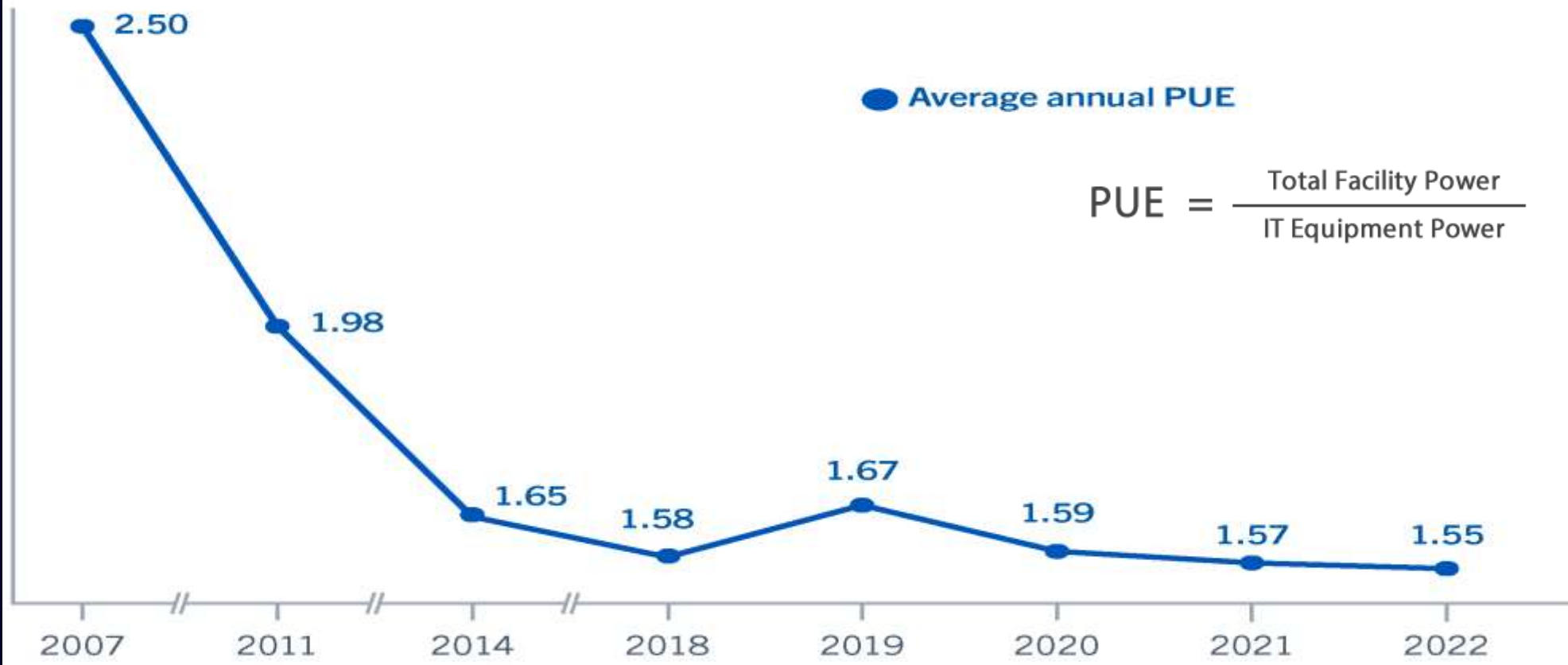


COOLING



PUE progress has stalled

What is the average annual PUE for your largest data center? (n=669)



COOLING

See the latest updates to the [Privacy Help Hub](#)

the other person's consent.

Therefore, you have my permission to use snippets of our chat in your presentation as long as you properly attribute the source and respect the privacy of both of us. However, if you plan to use any significant portions of our conversation or discuss sensitive topics, it's advisable to obtain explicit consent from both myself (through Google AI) and the other party involved.

I hope this clarifies the situation and helps you decide how to proceed! Feel free to ask if you have any further questions.



Enter a prompt here



Bard may display inaccurate info, including about people, so double-check its responses. [Your privacy & Bard](#)

than double in
ning, research
enterprise

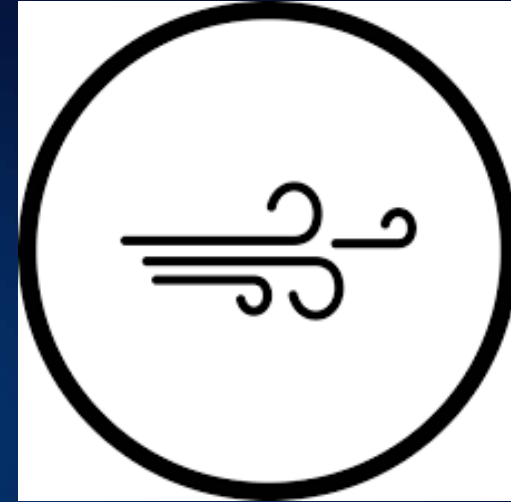
Bicsi[®]
ENDORSED EVENT

COOLING

- **Variable / adaptive**
- **Low Power**
- **High capacity**

COOLING - CONVENTIONAL

- CRAC / CRAH
- Inline / In-row
- Fan wall units
- Direct to chip
- Immersed liquid cooling



COOLING



Bicsi[®]
ENDORSED EVENT

CONCLUSION

Power: Modular UPS + Track Busways

Equipment Mounting: Modular racking systems

Cooling: Adaptive / variable cooling

With you,
let's improve
lives

Thank you
for your attention

Bicsi[®]
ENDORSED EVENT